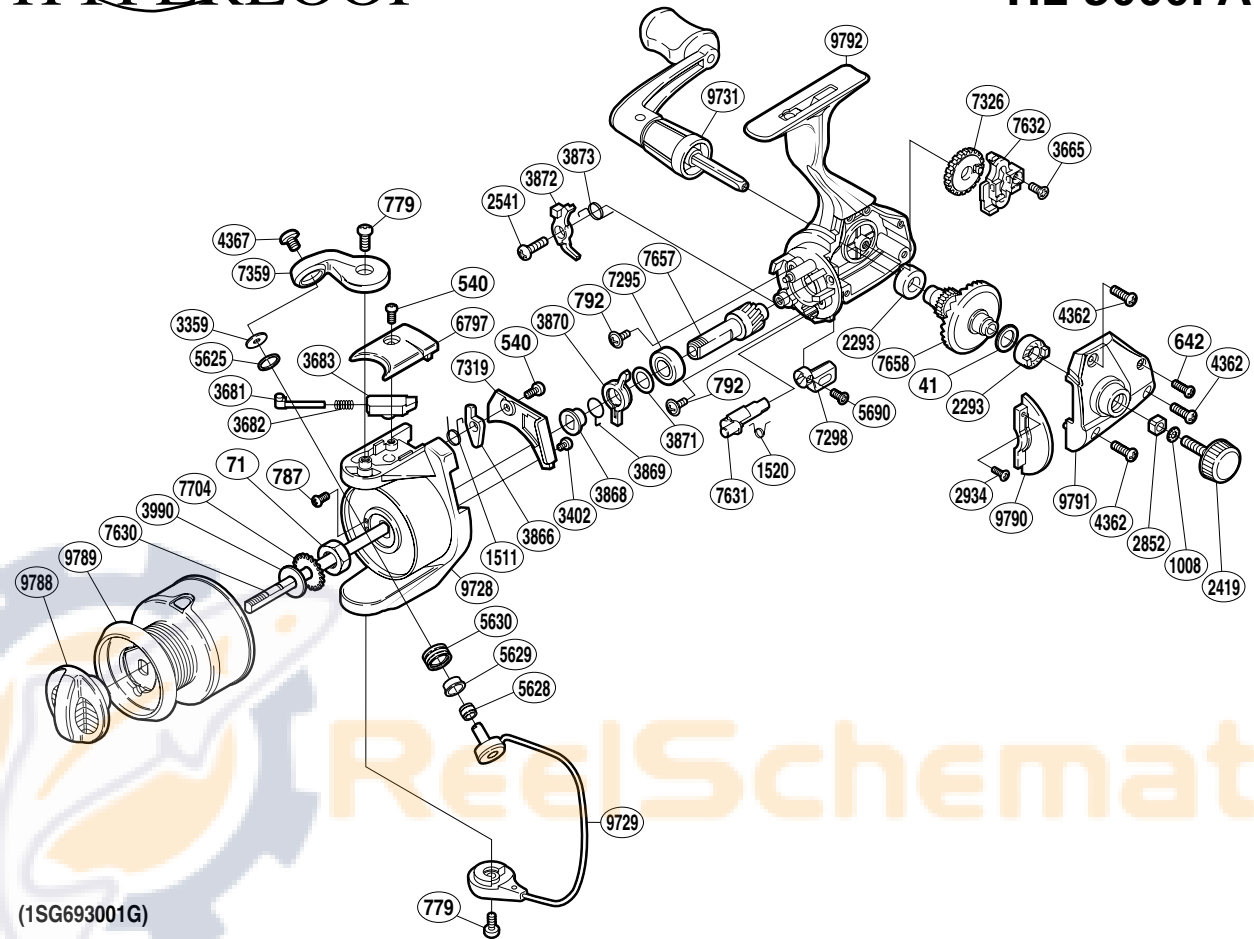


SHIMANO®

HYPERLOOP

HL-3000FA



| Part No. | Description | Part No. | Description | Part No. | Description |
|----------|-------------------------|----------|------------------------------|----------|----------------------|
| RD 0041 | Washer | RD 3682 | Bail Spring | RD 7298 | Anti-Reverse Lever |
| RD 0071 | Rotor Nut | RD 3683 | Bail Spring Guide B | RD 7319 | Counterbalance Cover |
| RD 0540 | Screw | RD 3866 | Bail Trip Lever | RD 7326 | Oscillating Gear |
| RD 0642 | Screw | RD 3868 | Lock Out Spring Holder | RD 7359 | Bail Arm |
| RD 0779 | Screw | RD 3869 | Anti-Reverse Lock Out Spring | RD 7630 | Main Shaft |
| RD 0787 | Screw | RD 3870 | Anti-Reverse Lock Out | RD 7631 | Anti-Reverse Cam |
| RD 0792 | Screw | RD 3871 | Washer | RD 7632 | Oscillating Slider |
| RD 1008 | Handle Lock Washer | RD 3872 | Anti-Reverse Pawl | RD 7657 | Pinion Gear |
| RD 1511 | Lever Spring | RD 3873 | Anti-Reverse Pawl Spring | RD 7658 | Drive Gear |
| RD 1520 | Anti-Reverse Cam Spring | RD 3990 | Spool Washer | RD 7704 | Spool Support |
| RD 2293 | Drive Gear Bushing | RD 4362 | Screw | RD 9728 | Rotor |
| RD 2419 | Handle Screw Cap | RD 4367 | Screw | RD 9729 | Bail Assembly |
| RD 2541 | Screw | RD 5625 | Line Roller Spacer | RD 9731 | Handle Assembly |
| RD 2852 | Handle Screw Lock | RD 5628 | Line Roller Collar | RD 9788 | Drag Knob |
| RD 2934 | Screw | RD 5629 | Line Roller Bushing | RD 9789 | Spool Assembly |
| RD 3359 | Line Roller Washer | RD 5630 | Line Roller | RD 9790 | Side Cover Flange |
| RD 3402 | Cover Screw | RD 5690 | Screw | RD 9791 | Side Cover |
| RD 3665 | Screw | RD 6797 | Bail Spring Cover | RD 9792 | Body |
| RD 3681 | Bail Spring Guide A | RD 7295 | Ball Bearing | | |